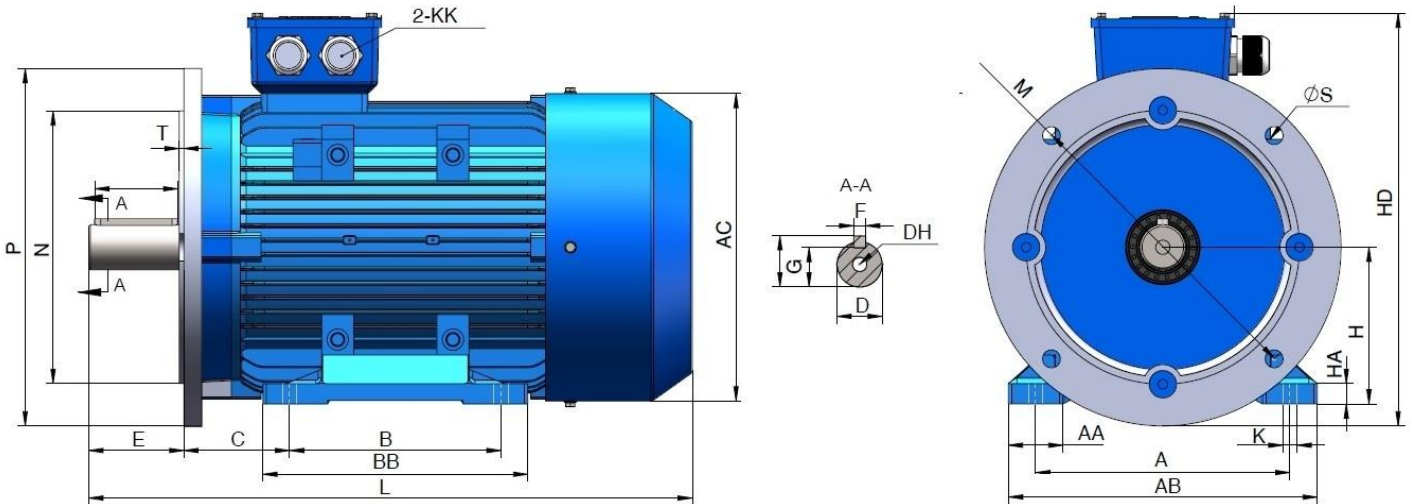


| NO. | Type | Rated power | | Full load current at rated voltage | | | Full load speed | Frq. at constant power | Direct on line starting torque ratio | Direct on line pull out torque ratio | Direct on line starting current ratio | Eff. | Power factor | Mean sound pressure level @1m on no load | Weight | Rotor inertia WK ² | | | | | | | | | | |
|-----|-----------|-------------|------|------------------------------------|-------|-------|-----------------|------------------------|--------------------------------------|--------------------------------------|---------------------------------------|------|--------------|--|--------|-------------------------------|-------|-----------|----------|----------|----------|---|---------------------|----------------|-----------|---|
| | | kW | HP | Amps | | | | | | | | | | | | | Speed | Frequency | LRT/RL T | BDT/RL T | LRA/RL A | η | Power factor (cosφ) | Noise Lwd B(A) | Weight kg | J |
| | | | | 380V | 400V | 415V | | | | | | | | | | | | | | | | | | | | |
| 1 | GL561-2 | 0.09 | 0.12 | 0.29 | 0.27 | 0.26 | 2700 | 50 | 2.2 | 2.1 | 5.2 | 62 | 0.77 | 57 | 3.8 | 0.00018 | | | | | | | | | | |
| 2 | GL562-2 | 0.12 | 0.16 | 0.37 | 0.35 | 0.33 | 2700 | 50 | 2.2 | 2.1 | 5.2 | 64 | 0.78 | 57 | 4 | 0.00023 | | | | | | | | | | |
| 3 | GL63M1-2 | 0.18 | 0.25 | 0.53 | 0.5 | 0.49 | 2720 | 50 | 2.3 | 2.3 | 5.5 | 65 | 0.8 | 61 | 4.5 | 0.00031 | | | | | | | | | | |
| 4 | GL63M2-2 | 0.25 | 0.34 | 0.69 | 0.65 | 0.63 | 2720 | 50 | 2.3 | 2.3 | 5.5 | 68 | 0.81 | 61 | 4.7 | 0.0006 | | | | | | | | | | |
| 5 | GL71M1-2 | 0.37 | 0.5 | 1.01 | 0.96 | 0.92 | 2755 | 50 | 2.2 | 2.3 | 6.1 | 69 | 0.81 | 64 | 6 | 0.00075 | | | | | | | | | | |
| 6 | GL71M2-2 | 0.55 | 0.75 | 1.38 | 1.3 | 1.26 | 2790 | 50 | 2.3 | 2.3 | 6.1 | 74 | 0.82 | 64 | 6.3 | 0.0009 | | | | | | | | | | |
| 7 | GL80M1-2 | 0.75 | 1 | 1.77 | 1.67 | 1.6 | 2845 | 50 | 2.3 | 2.2 | 6.1 | 75 | 0.83 | 67 | 10 | 0.0012 | | | | | | | | | | |
| 8 | GL80M2-2 | 1.1 | 1.5 | 2.61 | 2.34 | 2.24 | 2835 | 50 | 2.3 | 2.2 | 6.9 | 76.2 | 0.84 | 67 | 11 | 0.0014 | | | | | | | | | | |
| 9 | GL90S-2 | 1.5 | 2 | 3.46 | 3.29 | 3.15 | 2850 | 50 | 2.3 | 2.2 | 7.0 | 78.5 | 0.84 | 72 | 13 | 0.0029 | | | | | | | | | | |
| 10 | GL90L-2 | 2.2 | 3 | 4.85 | 4.6 | 4.4 | 2855 | 50 | 2.3 | 2.2 | 7.0 | 81 | 0.85 | 72 | 14 | 0.0055 | | | | | | | | | | |
| 11 | GL100L-2 | 3 | 4 | 6.34 | 6.02 | 5.77 | 2860 | 50 | 2.3 | 2.2 | 7.5 | 82.6 | 0.87 | 76 | 24 | 0.0109 | | | | | | | | | | |
| 12 | GL112M-2 | 4 | 5.5 | 8.2 | 7.8 | 7.46 | 2880 | 50 | 2.3 | 2.2 | 7.5 | 84.2 | 0.88 | 77 | 28 | 0.0126 | | | | | | | | | | |
| 13 | GL132S1-2 | 5.5 | 7.5 | 11.1 | 10.5 | 10.1 | 2900 | 50 | 2.3 | 2.2 | 7.5 | 85.7 | 0.88 | 80 | 40 | 0.0377 | | | | | | | | | | |
| 14 | GL132S2-2 | 7.5 | 10 | 14.9 | 14.15 | 13.56 | 2900 | 50 | 2.3 | 2.2 | 7.5 | 87 | 0.88 | 80 | 43 | 0.0499 | | | | | | | | | | |
| 15 | GL160M1-2 | 11 | 15 | 21.3 | 20.2 | 19.4 | 2930 | 50 | 2.3 | 2.2 | 7.5 | 88 | 0.89 | 86 | 83 | 0.055 | | | | | | | | | | |
| 16 | GL160M2-2 | 15 | 20 | 28.8 | 27.4 | 26.2 | 2930 | 50 | 2.3 | 2.2 | 7.5 | 89 | 0.89 | 86 | 90 | 0.075 | | | | | | | | | | |
| 17 | GL160L-2 | 18.5 | 25 | 34.7 | 32.97 | 31.6 | 2930 | 50 | 2.3 | 2.2 | 7.5 | 90 | 0.9 | 86 | 104 | 0.124 | | | | | | | | | | |
| 18 | GL561-4 | 0.06 | 0.08 | 0.23 | 0.22 | 0.21 | 1300 | 50 | 2.1 | 2.0 | 4.0 | 56 | 0.7 | 48 | 3.8 | 0.0003 | | | | | | | | | | |
| 19 | GL562-4 | 0.09 | 0.12 | 0.33 | 0.31 | 0.3 | 1300 | 50 | 2.1 | 2.0 | 4.0 | 58 | 0.72 | 48 | 4 | 0.0004 | | | | | | | | | | |
| 20 | GL63M1-4 | 0.12 | 0.18 | 0.44 | 0.42 | 0.4 | 1310 | 50 | 2.2 | 2.1 | 4.4 | 57 | 0.72 | 52 | 4.5 | 0.0005 | | | | | | | | | | |
| 21 | GL63M2-4 | 0.18 | 0.25 | 0.62 | 0.59 | 0.56 | 1310 | 50 | 2.2 | 2.1 | 4.4 | 60 | 0.73 | 52 | 4.7 | 0.0006 | | | | | | | | | | |
| 22 | GL71M1-4 | 0.25 | 0.34 | 0.79 | 0.75 | 0.72 | 1340 | 50 | 2.2 | 2.1 | 5.2 | 65 | 0.74 | 55 | 6 | 0.0008 | | | | | | | | | | |
| 23 | GL71M2-4 | 0.37 | 0.5 | 1.12 | 1.1 | 1 | 1340 | 50 | 2.2 | 2.1 | 5.2 | 67 | 0.75 | 55 | 6.3 | 0.0013 | | | | | | | | | | |
| 24 | GL80M1-4 | 0.55 | 0.75 | 1.52 | 1.44 | 1.38 | 1390 | 50 | 2.3 | 2.4 | 5.2 | 71 | 0.75 | 58 | 10 | 0.0018 | | | | | | | | | | |
| 25 | GL80M2-4 | 0.75 | 1 | 1.95 | 1.85 | 1.77 | 1390 | 50 | 2.3 | 2.3 | 6.0 | 73 | 0.76 | 58 | 11 | 0.0021 | | | | | | | | | | |
| 26 | GL90S-4 | 1.1 | 1.5 | 2.85 | 2.7 | 2.6 | 1390 | 50 | 2.3 | 2.3 | 6.0 | 76.2 | 0.77 | 61 | 12 | 0.0023 | | | | | | | | | | |
| 27 | GL90L-4 | 1.5 | 2 | 3.72 | 3.53 | 3.39 | 1400 | 50 | 2.3 | 2.3 | 6.0 | 78.5 | 0.78 | 61 | 14 | 0.0027 | | | | | | | | | | |
| 28 | GL100L1-4 | 2.2 | 3 | 5.09 | 4.83 | 4.6 | 1420 | 50 | 2.3 | 2.3 | 7.0 | 81 | 0.81 | 64 | 23 | 0.0054 | | | | | | | | | | |
| 29 | GL100L2-4 | 3 | 4 | 6.78 | 6.4 | 6.17 | 1420 | 50 | 2.3 | 2.3 | 7.0 | 82.6 | 0.82 | 64 | 25 | 0.0067 | | | | | | | | | | |
| 30 | GL112M-4 | 4 | 5.5 | 8.8 | 8.36 | 8 | 1435 | 50 | 2.3 | 2.3 | 7.0 | 84.2 | 0.82 | 65 | 29 | 0.0095 | | | | | | | | | | |
| 31 | GL132S-4 | 5.5 | 7.5 | 11.7 | 11.12 | 10.65 | 1440 | 50 | 2.3 | 2.3 | 7.0 | 85.7 | 0.83 | 71 | 43 | 0.0214 | | | | | | | | | | |
| 32 | GL132M-4 | 7.5 | 10 | 15.6 | 14.8 | 14.2 | 1450 | 50 | 2.3 | 2.3 | 7.0 | 87 | 0.84 | 71 | 55 | 0.0296 | | | | | | | | | | |
| 33 | GL160M-4 | 11 | 15 | 22.3 | 21.2 | 20.3 | 1460 | 50 | 2.3 | 2.3 | 7.0 | 88 | 0.85 | 75 | 86 | 0.0747 | | | | | | | | | | |
| 34 | GL160L-4 | 15 | 20 | 30.1 | 28.6 | 27.4 | 1460 | 50 | 2.3 | 2.3 | 7.0 | 89 | 0.85 | 75 | 100 | 0.0918 | | | | | | | | | | |
| 35 | GL71M1-6 | 0.18 | 0.25 | 0.74 | 0.7 | 0.67 | 870 | 50 | 2.0 | 1.9 | 4.0 | 56 | 0.66 | 52 | 6 | 0.0011 | | | | | | | | | | |
| 36 | GL71M2-6 | 0.25 | 0.34 | 0.95 | 0.9 | 0.86 | 870 | 50 | 2.0 | 1.9 | 4.0 | 59 | 0.68 | 52 | 6.3 | 0.0014 | | | | | | | | | | |

| | | | | | | | | | | | | | | | | |
|----|------------|------|------|------|-------|-------|-----|----|-----|-----|-----|------|------|----|------|--------|
| 37 | GL80M1-6 | 0.37 | 0.5 | 1.23 | 1.17 | 1.12 | 880 | 50 | 2.0 | 1.9 | 4.7 | 62 | 0.7 | 54 | 10 | 0.0016 |
| 38 | GL80M2-6 | 0.55 | 0.75 | 1.7 | 1.6 | 1.55 | 880 | 50 | 2.1 | 1.9 | 4.7 | 65 | 0.72 | 54 | 11 | 0.0019 |
| 39 | GL90S-6 | 0.75 | 1 | 2.29 | 2.18 | 2.08 | 905 | 50 | 2.1 | 2.0 | 5.3 | 69 | 0.72 | 57 | 13 | 0.0029 |
| 40 | GL90L-6 | 1.1 | 1.5 | 3.18 | 3.02 | 2.9 | 905 | 50 | 2.1 | 2.0 | 5.5 | 72 | 0.73 | 57 | 14 | 0.0035 |
| 41 | GL100L-6 | 1.5 | 2 | 4 | 3.8 | 3.64 | 920 | 50 | 2.1 | 2.0 | 5.5 | 76 | 0.76 | 61 | 23 | 0.0069 |
| 42 | GL112M-6 | 2.2 | 3 | 5.6 | 5.32 | 5.1 | 935 | 50 | 2.1 | 2.0 | 6.5 | 79 | 0.76 | 65 | 28 | 0.014 |
| 43 | GL132S-6 | 3 | 4 | 7.4 | 7.03 | 6.73 | 960 | 50 | 2.1 | 2.1 | 6.5 | 81 | 0.76 | 69 | 38 | 0.0286 |
| 44 | GL132M1-6 | 4 | 5.5 | 9.5 | 9.03 | 8.65 | 960 | 50 | 2.1 | 2.1 | 6.5 | 82 | 0.76 | 69 | 50 | 0.0357 |
| 45 | GL132M2-6 | 5.5 | 7.5 | 12.6 | 11.97 | 11.16 | 960 | 50 | 2.1 | 2.1 | 6.5 | 84 | 0.77 | 69 | 57 | 0.0449 |
| 46 | GL160M-6 | 7.5 | 10 | 16.9 | 16.1 | 15.6 | 970 | 50 | 2.1 | 2.0 | 6.5 | 86 | 0.78 | 73 | 82 | 0.081 |
| 47 | GL160L-6 | 11 | 15 | 24.2 | 22.99 | 22.02 | 970 | 50 | 2.1 | 2.0 | 6.5 | 87.5 | 0.79 | 73 | 93 | 0.0116 |
| 48 | GL80M1-8 | 0.18 | 0.25 | 0.83 | 0.79 | 0.75 | 645 | 50 | 1.9 | 1.8 | 3.3 | 51 | 0.61 | 52 | 10 | 0.0025 |
| 49 | GL80M2-8 | 0.25 | 0.34 | 1.1 | 1.05 | 1 | 645 | 50 | 1.9 | 1.8 | 3.3 | 54 | 0.61 | 52 | 11 | 0.003 |
| 50 | GL90S-8 | 0.37 | 0.5 | 1.49 | 1.4 | 1.36 | 675 | 50 | 1.9 | 1.8 | 4.0 | 62 | 0.61 | 56 | 13 | 0.0051 |
| 51 | GL90L-8 | 0.55 | 0.75 | 2.17 | 2.06 | 2 | 680 | 50 | 2.0 | 1.8 | 4.0 | 63 | 0.61 | 56 | 15 | 0.0065 |
| 52 | GL100L1-8 | 0.75 | 1 | 2.43 | 2.3 | 2.2 | 680 | 50 | 2.0 | 1.8 | 4.0 | 70 | 0.67 | 59 | 23 | 0.0095 |
| 53 | GL100L2-8 | 1.1 | 1.5 | 3.36 | 3.2 | 3.06 | 680 | 50 | 2.0 | 1.8 | 5.0 | 72 | 0.69 | 59 | 25 | 0.011 |
| 54 | GL112M-8 | 1.5 | 2 | 4.4 | 4.22 | 4.04 | 690 | 50 | 2.0 | 1.8 | 5.0 | 74 | 0.7 | 61 | 28 | 0.0245 |
| 55 | GL132S-8 | 2.2 | 3 | 6 | 5.7 | 5.46 | 710 | 50 | 2.0 | 1.8 | 6.0 | 79 | 0.71 | 64 | 40 | 0.0314 |
| 56 | GL132M-8 | 3 | 4 | 7.8 | 7.4 | 7.1 | 710 | 50 | 2.0 | 1.8 | 6.0 | 80 | 0.73 | 64 | 45 | 0.0395 |
| 57 | GL160M1-8 | 4 | 5.5 | 10.3 | 9.78 | 9.37 | 720 | 50 | 2.0 | 1.9 | 6.0 | 81 | 0.73 | 68 | 71 | 0.0753 |
| 58 | GL160M2-8 | 5.5 | 7.5 | 13.6 | 12.9 | 12.38 | 720 | 50 | 2.0 | 2.0 | 6.5 | 83 | 0.74 | 68 | 82.5 | 0.0931 |
| 59 | GL100L1-10 | 0.25 | 0.34 | 1.33 | 1.26 | 1.22 | 530 | 50 | 1.2 | 1.7 | 3.2 | 55 | 0.52 | 59 | | 0.0057 |
| 60 | GL100L2-10 | 0.37 | 0.5 | 1.89 | 1.8 | 1.73 | 530 | 50 | 1.2 | 1.7 | 3.2 | 56 | 0.53 | 59 | | 0.0073 |
| 61 | GL112M1-10 | 0.55 | 0.75 | 2.5 | 2.37 | 2.29 | 540 | 50 | 1.2 | 1.7 | 3.4 | 62 | 0.54 | 61 | | 0.0101 |
| 62 | GL112M2-10 | 0.75 | 1 | 3.3 | 3.12 | 3.01 | 540 | 50 | 1.2 | 1.7 | 3.4 | 63 | 0.55 | 61 | | 0.0123 |
| 63 | GL132S-10 | 1.1 | 1.5 | 4.4 | 4.2 | 4 | 550 | 50 | 1.2 | 1.7 | 3.6 | 69 | 0.55 | 64 | | 0.0274 |
| 64 | GL132M-10 | 1.5 | 2 | 5.7 | 5.5 | 5.2 | 565 | 50 | 1.2 | 1.7 | 3.6 | 71 | 0.56 | 64 | | 0.0351 |
| 65 | GL160M1-10 | 2.2 | 3 | 7.7 | 7.3 | 7.1 | 575 | 50 | 1.3 | 1.8 | 4.0 | 76 | 0.57 | 68 | | 0.0442 |
| 66 | GL160M2-10 | 3 | 4 | 10.2 | 9.7 | 9.4 | 575 | 50 | 1.3 | 1.8 | 4.0 | 77 | 0.58 | 68 | | 0.0841 |
| 67 | GL100L1-12 | 0.25 | 0.34 | 1.55 | 1.47 | 1.42 | 420 | 50 | 1.1 | 1.7 | 2.8 | 50 | 0.49 | 59 | | 0.0074 |
| 68 | GL100L2-12 | 0.37 | 0.5 | 2.21 | 2.1 | 2.02 | 425 | 50 | 1.1 | 1.7 | 2.8 | 52 | 0.49 | 59 | | 0.0103 |
| 69 | GL112M1-12 | 0.55 | 0.75 | 3.01 | 2.84 | 2.74 | 435 | 50 | 1.1 | 1.7 | 3.2 | 57 | 0.49 | 61 | | 0.0126 |
| 70 | GL132S1-12 | 0.75 | 1 | 3.6 | 3.4 | 3.3 | 440 | 50 | 1.1 | 1.7 | 3.4 | 63 | 0.5 | 61 | | 0.028 |
| 71 | GL132S2-12 | 1.1 | 1.5 | 5.1 | 4.9 | 4.7 | 450 | 50 | 1.1 | 1.7 | 3.4 | 65 | 0.5 | 64 | | 0.0359 |
| 72 | GL132M-12 | 1.5 | 2 | 6.7 | 6.3 | 6.1 | 460 | 50 | 1.1 | 1.7 | 3.5 | 68 | 0.5 | 64 | | 0.0452 |
| 73 | GL160M-12 | 2.2 | 3 | 9 | 8.5 | 8.2 | 465 | 50 | 1.1 | 1.8 | 4.0 | 74 | 0.5 | 68 | | 0.0861 |
| 74 | GL160L-12 | 3 | 4 | 12.2 | 11.6 | 11.2 | 470 | 50 | 1.1 | 1.8 | 4.0 | 74.5 | 0.5 | 68 | | 0.1065 |
| 75 | GL112M1-16 | 0.25 | 0.34 | 1.52 | 1.44 | 1.39 | 310 | 50 | 0.9 | 1.6 | 2.5 | 48 | 0.47 | 61 | | 0.0285 |
| 76 | GL112M2-16 | 0.37 | 0.5 | 2.34 | 2.22 | 2.14 | 315 | 50 | 0.9 | 1.6 | 2.5 | 48.5 | 0.47 | 64 | | 0.0366 |
| 77 | GL132M-16 | 0.55 | 0.75 | 3.2 | 3 | 2.9 | 330 | 50 | 0.9 | 1.6 | 2.7 | 54 | 0.48 | 64 | | 0.046 |
| 78 | GL160M1-16 | 0.75 | 1 | 3.8 | 3.6 | 3.4 | 340 | 50 | 0.9 | 1.6 | 2.8 | 62 | 0.48 | 68 | | 0.0877 |
| 79 | GL160M2-16 | 1.1 | 1.5 | 5.4 | 5.1 | 4.9 | 345 | 50 | 0.9 | 1.6 | 2.8 | 64 | 0.48 | 68 | | 0.1084 |
| 80 | GL160L-16 | 1.5 | 2 | 7.1 | 6.7 | 6.5 | 345 | 50 | 0.9 | 1.6 | 2.8 | 66 | 0.48 | 70 | | 0.1467 |

توجه: مشخصات، جداول، اشکال و تمام اطلاعات مندرج در این برگه، انحصاراً در اختیار ارائه دهنده محصول بوده و بدون اطلاع قبلی، قابل تغییر می باشد.

This manual may modify, when necessary because of improvement of the product, modification, or changes in specification, this manual is subject to change without notice



ابعاد و اندازه الکتروموتورهای گوانگلو سری 160 - 56 GL

| Frame size | Mounting dimensions | | | | | | | | | | | Overall dimensions | | | | | | | | | | | | |
|------------|---------------------|----|-----|-----|------|-----|-----|-----|-----|----|--------|--------------------|----|------|-----|-----|-----------|----------|-----|-----|-----|-----|-----|-----|
| | A | AA | AB | BB | HA | AC | AD | B | C | D | DH | E | F | G | H | K | KK | | L | M | N | P | S | T |
| | METRIC | | PG | | | | | | | | | | | | | | | | | | | | | |
| GL56 | 90 | 23 | 115 | 88 | 7 | 112 | 100 | 71 | 36 | 9 | M4x12 | 20 | 3 | 7.2 | 56 | 5.8 | 2-M20x1.5 | 2-PG13.5 | 201 | 100 | 80 | 120 | φ7 | 3 |
| GL63 | 100 | 24 | 135 | 100 | 7 | 123 | 109 | 80 | 40 | 11 | M4x12 | 23 | 4 | 8.5 | 63 | 7 | 2-M20x1.5 | 2-PG13.5 | 224 | 115 | 95 | 140 | φ10 | 3 |
| GL71 | 112 | 26 | 150 | 110 | 8 | 136 | 127 | 90 | 45 | 14 | M5x12 | 30 | 5 | 11 | 71 | 7 | 2-M20x1.5 | 2-PG13.5 | 247 | 130 | 110 | 160 | φ10 | 3.5 |
| GL80 | 125 | 35 | 156 | 125 | 9 | 155 | 134 | 100 | 50 | 19 | M6x16 | 40 | 6 | 15.5 | 80 | 10 | 2-M20x1.5 | 2-PG16 | 291 | 165 | 130 | 200 | φ12 | 3.5 |
| GL90S | 140 | 37 | 175 | 125 | 10 | 175 | 140 | 100 | 56 | 24 | M8x19 | 50 | 8 | 20 | 90 | 10 | 2-M25x1.5 | 2-PG16 | 316 | 165 | 130 | 200 | φ12 | 3.5 |
| GL90L | 140 | 37 | 175 | 150 | 10 | 175 | 140 | 125 | 56 | 24 | M8x19 | 50 | 8 | 20 | 90 | 10 | 2-M25x1.5 | 2-PG16 | 340 | 165 | 130 | 200 | φ12 | 3.5 |
| GL100L | 160 | 40 | 204 | 172 | 11 | 196 | 160 | 140 | 63 | 28 | M10x22 | 60 | 8 | 24 | 100 | 12 | 2-M32x1.5 | 2-PG21 | 392 | 215 | 180 | 250 | φ15 | 4 |
| GL112M | 190 | 41 | 227 | 181 | 12 | 220 | 178 | 140 | 70 | 28 | M10x22 | 60 | 8 | 24 | 112 | 12 | 2-M32x1.5 | 2-PG21 | 402 | 215 | 180 | 250 | φ15 | 4 |
| GL132S | 216 | 51 | 258 | 186 | 14.5 | 259 | 206 | 140 | 89 | 38 | M12x28 | 80 | 10 | 33 | 132 | 12 | 2-M32x1.5 | 2-PG21 | 483 | 265 | 230 | 300 | φ15 | 4 |
| GL132M | 216 | 51 | 258 | 224 | 14.5 | 259 | 206 | 178 | 89 | 38 | M12x28 | 80 | 10 | 33 | 132 | 12 | 2-M32x1.5 | 2-PG21 | 510 | 265 | 230 | 300 | φ15 | 4 |
| GL160M | 254 | 55 | 314 | 260 | 18 | 315 | 255 | 210 | 108 | 42 | M16x36 | 110 | 12 | 37 | 160 | 15 | 2-M40x1.5 | 2-PG29 | 615 | 300 | 250 | 350 | φ19 | 5 |
| GL160L | 254 | 55 | 314 | 304 | 18 | 315 | 255 | 254 | 108 | 42 | M16x36 | 110 | 12 | 37 | 160 | 15 | 2-M40x1.5 | 2-PG29 | 670 | 300 | 250 | 350 | φ19 | 5 |

اعداد مندرج، بر حسب میلیمتر (mm) می باشد