

IEC Single Phase Capacitor Run Motors
Standard Motors up to Frame Size 100

Technical Data

Aluminium housing. Basic version

IE1	Rated Output kW	Size	Type	Rated Speed rpm	Nominal Efficiency %	Power Factor	Rated Current at 220V A	Rated Torque Nm	Starting Torque	Starting Current	Capacitor μF	Capacitor Voltage V
									For Direct-on-line starting as multiple of the rated			
									Torque	Current		
3000 rpm, 2-poles, 50 Hz												
0.18	63 M	34180	2830	60.3	1.00	1.4	0.63	0.50	3.2	10	400	
0.25		34250	2750	65.0	0.99	1.8	0.86	0.60	3.5	10	450	
0.37	71 M	35370	2860	71.5	1.00	2.6	1.2	0.40	3.3	12	450	
0.55		35550	2800	70.0	1.00	4.0	1.9	0.48	3.0	16	450	
0.75	80 M	37750	2800	70.5	1.00	4.8	2.6	0.40	2.8	25	450	
1.1		37110	2850	77.0	0.98	6.5	4.3	0.35	4.0	35	400	
1.5	90 S	39150	2820	77.5	0.98	8.8	5.1	0.27	3.8	40	400	
2.2	90 L	39220	2850	79.0	0.95	13.3	7.3	0.26	4.1	50	400	
1500 rpm, 4-poles, 50 Hz												
0.12	63 M	41120	1350	54.5	1.00	1.0	0.85	0.54	2.2	8	400	
0.18		41180	1385	56.6	0.98	1.5	1.25	0.55	2.2	10	450	
0.25	71 M	36250	1390	59.0	0.97	2.0	1.7	0.71	1.9	18	450	
0.37		36370	1400	61.2	0.95	2.8	2.6	0.48	2.4	14	450	
0.55	80 M	38550	1400	68.5	0.96	3.6	3.8	0.32	3.9	30	400	
0.75		38750	1385	68.0	0.95	5.0	5.2	0.25	4.2	30	400	
1.1	90 S	40110	1425	77.0	0.94	6.9	7.4	0.32	4.6	35	450	
1.5	90 L	40150	1430	77.5	0.96	9.2	10	0.33	4.8	45	450	
2.2	100 L	43220	1445	79.5	0.95	13.2	14.5	0.31	5.2	70	400	

* Flange-mounted (B5) and foot-mounted (B3) are available for all type of motors.



ELECTROGEN

مشخصات فنی الکتروموتورهای الکتروژن تکفاز دو خازن (CRS)
پوسته آلومینیوم

IEC Single Phase Capacitor Run & Start (CRS) Motors
Standard Motors up to Frame Size 112

Technical Data

Aluminium housing. Basic version

IE1	Rated Output kW	Size	Type	Rated Speed rpm	Nominal Efficiency %	Power Factor	Rated Current at 220V A	Rated Torque 220 V Nm	Starting Torque	Starting Current	Capacitor	
									For Direct-on-line starting as multiple of the rated		Permanent μF	Start μF
									Torque	Current		
3000 rpm, 2-poles, 50 Hz												
0.18	63 M	34188	2850	64.0	0.99	1.4	0.63	2.0	4.6	8	30	
0.25		34258	2860	65.0	1.00	1.8	0.86	2.0	4.7	10	30	
0.37	71 M	35378	2860	71.5	0.94	2.4	1.2	1.9	4.6	12	40	
0.55		35558	2850	70.0	1.00	3.5	1.9	1.9	4.4	16	60	
0.75	80 M	37758	2840	70.5	1.00	4.8	2.6	2.0	4.2	25	60	
1.1		37118	2850	77.0	0.96	7.1	4.3	2.0	4.4	35	80	
1.5	90 S	39158	2850	77.5	0.98	9.4	5.1	1.8	4.3	40	100	
2.2	90 L	39228	2850	79.0	0.95	13.3	7.3	1.8	4.4	55	140	
3	100L	42038	2850	79.5	0.98	18.6	10.0	1.8	4.5	60	200	
1500 rpm, 4-poles, 50 Hz												
0.12	63 M	41128	1395	54.5	1.00	1.1	0.85	1.6	3.4	6	20	
0.18		41188	1395	56.6	0.98	1.5	1.25	1.6	3.8	8	25	
0.25	71 M	36258	1410	59.0	0.97	2.0	1.7	1.9	3.8	10	30	
0.37		36378	1420	61.2	0.95	2.9	2.6	1.9	3.9	12	40	
0.55	80 M	38558	1410	68.5	0.98	3.8	3.8	1.8	4.0	16	60	
0.75		38758	1420	68.0	0.95	5.1	5.2	1.8	4.0	20	80	
1.1	90 S	40118	1420	77.0	0.94	7.0	7.4	1.8	4.3	30	120	
1.5	90 L	40158	1440	77.5	0.96	9.3	10	1.8	4.2	40	140	
2.2	100 L	43228	1445	79.5	0.95	13.3	14.5	1.8	4.4	50	250	
2.2	112	46228	1440	75.0	0.80	16.2	14.7	1.9	4.3	20	160	

* Flange-mounted (B5) and foot-mounted (B3) are available for all type of motors.

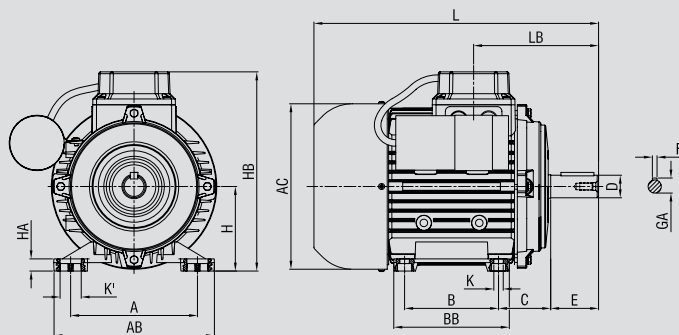
IEC Single Phase Squirrel-Cage Motors
Foot-Mounted Motors, IMB3

Dimensions



Frame Size	No. of Poles	Dimension drawing according to IEC																
		H	B	A	C	K	K'	D	E	F	GA	HA	BB	AB	AC	HB	LB	L
63	2-8	63	80	100	40	M6	12	11	23	4	12.5	7	101	120	124	155	91.5	208
71		71	90	112	47		11	14	30	5	16	8	112	136	141	171.5	105	244
80		100	80	125	50	M8	15.5	19	40	6	21.5	12	125	150	159	193	118	273
90																		
100		100	140	160	63	M10	21	28	60	8	30.9	12.5	174.5	194	194.5	235	152.5	403
112		112	140	190	70							14	183	226.5	219.5	259	161	416

اعداد مندرج در این اشکال بر حسب میلیمتر (mm) می باشد





ELECTROGEN

ابعاد و اندازه الکتروموتورهای الکتروژن تکفاز پوسته آلومینیوم فلنج دار (B5)

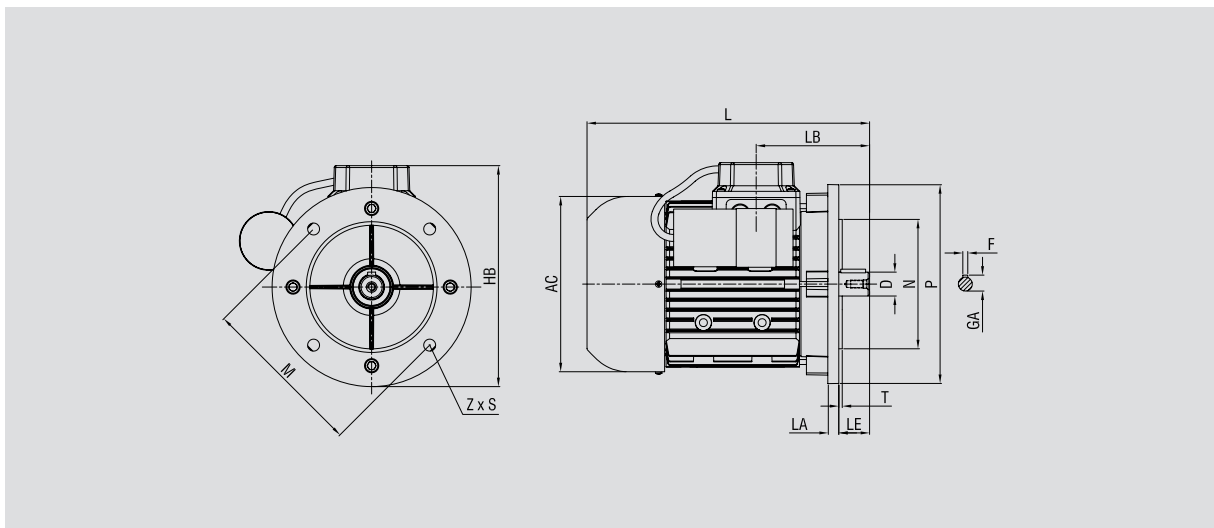
IEC Single Phase Squirrel-Cage Motors
Flange-Mounted Motors, IMB5

Dimensions



Frame Size	No. of Poles	Dimension drawing according to IEC														
		P	N	M	LA	T	D	LE	F	GA	AC	HB	Z	S	LB	L
63	2-8	140	95	115	10	3	11	23	4	12.6	124	160	4	M8	91.5	208
71		160	110	130	9		14	30	5	16	141	180.5			105	244
80		200	130	165	11		3.5	19	40	6	21.5	159		213	118	273
90		200				24		50	26.9	176	220	133		306		
100		250	180	215	12.5	4	28	60	8	30.9	194.5	257		M12	152.5	403
112		250			15						219.5	272			161	416

اعداد مندرج در این اشکال بر حسب میلیمتر (mm) می باشد.



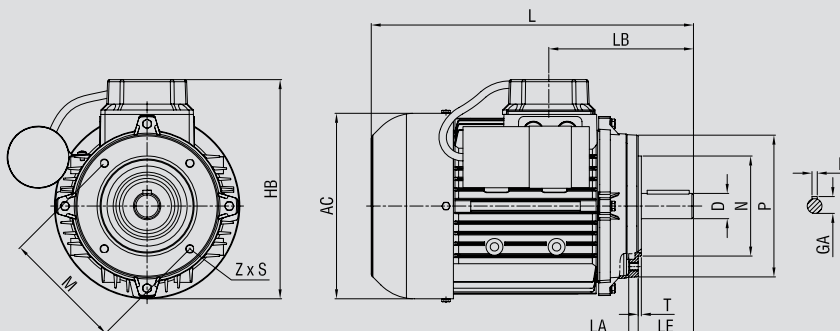
IEC Single Phase Squirrel-Cage Motors
Flange-Mounted Motors, IMB14

Dimensions



Frame Size	No. of Poles	Dimension drawing according to IEC															
		P	N	M	LA	T	D	LE	AC	HB	L	LB	Z	S	F	GA	
63	2-8	90	60	75	8	2.5	11	23	124	153	208	91.5	4	M4	4	12.6	
71		106	70	85	9.5	3	14	30	141	171	244	105		M6	5	16	
80		119	80	100	9		19	40	159	195	273	118		6	21.5		
90		135	95	115	17	3.5	24	50	176	210	306	133	M8	8	26.9		
100		160	110	130			16.5	28	60	194	233	403			152.5	30.9	
112									218	257	416	161					

اعداد مندرج در این اشکال بر حسب میلیمتر (mm) می باشد.





ELECTROGEN

ابعاد و اندازه الکتروموتورهای الکتروژن تکفاز پوسته آلومینیوم پایه و فلنج
(B35)

IEC Single Phase Squirrel-Cage Motors
Foot and Flange-Mounted Motors, IMB35

Dimensions



Frame Size	No. of Poles	Dimension drawing according to IEC																					
		P	N	M	LA	T	D	LE	F	GA	AC	HB	Z	S	LB	L	A	B	K	K'	HA	BB	AB
63	2-8	140	95	115	10	3	11	23	4	12.6	124	160	4	M8	91.5	208	100	80	M6	12	7	101	120
71		160	110	130	9		14	30	5	16	141	180.5			105	244	112	90		11	8	112	136
80		200	130	165	11		3.5	19	40	6	21.5	159		213	M10	118	273	125	100	M8	15.5	12	125
90		200				24		50	26.9	176	220	133		306		140	18	13			123	171	
100		250	180	215	12.5	4	28	60	8	30.9	194.5	257		M12	152.5	403	160	140	M10	21	12.5	174.5	194
112		250			15						219.5	272			161	416	190	140		14	183	226.5	

اعداد مندرج در این اشکال بر حسب میلیمتر (mm) می باشد.

